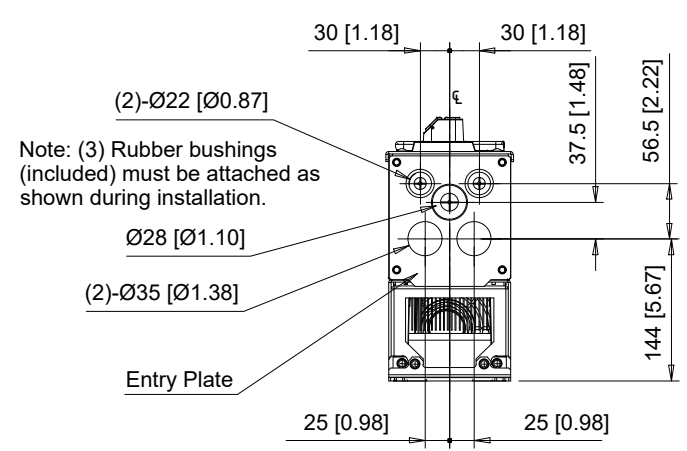


Detail A
Top mounting hole dimensions
Scale 1:1



C/C: HV60□	INPUT VOLTAGE 3-PHASE (VAC)	WEIGHT Kg (lb)	COOLING FANS
2024□□□	200 TO 240	12.0 (26.5)	1
2031□□□		13.0 (28.7)	1
4021□□□	380 TO 480	13.0 (28.7)	1
4027□□□		14.0 (30.9)	1
4034□□□		14.5 (32.0)	1

□ denotes A-Z

Base Point of Control Board

Refer to DD.HV60.CONTROLBOARD drawing for control board details

Note: The - and +1 terminals are not used

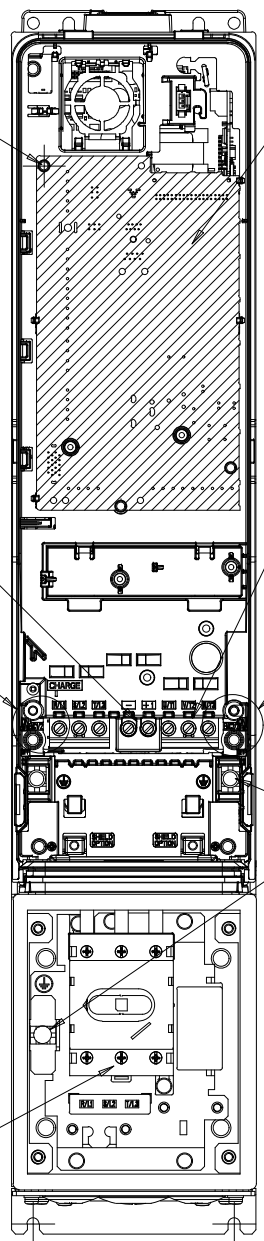
Main Terminals with M4 Screws; Slotted (-)

EMC Filter Switch 1
See Detail A

EMC Filter Switch 2
See Detail B

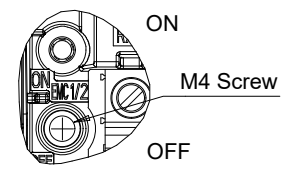
Grounding Terminals with M5 Screws

Main Terminals with M5 Screws; Pozidriv #2



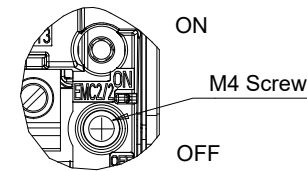
EMC FILTER SWITCHES

EMC SW1



Detail A
Scale 1:2

EMC SW2



Detail B
Scale 1:2

C/C:	TERMINAL SYMBOL	WIRE RANGE AWG (mm ²)	TERMINAL SCREW	CLAMPING TORQUE N.m. (lb.in.)
HV60□				
2024□□□	R/L1, S/L2, T/L3	14 - 4 (2.5 - 25)	M5	2.0 (18)
2031□□□	U/T1, V/T2, W/T3	14 - 8 (2.5 - 10)	M4	1.5 - 1.7 (13.5 - 15)
4021□□□	⊕	14 - 8 (2.5 - 10)	M5	2.0 - 2.5 (17.7 - 22.1)
4027□□□				
4034□□□				

□ Denotes A-Z

Note: Refer to applicable codes and standards for proper wire type and size.

YASKAWA

UNITS MM [IN]
SCALE 1:4

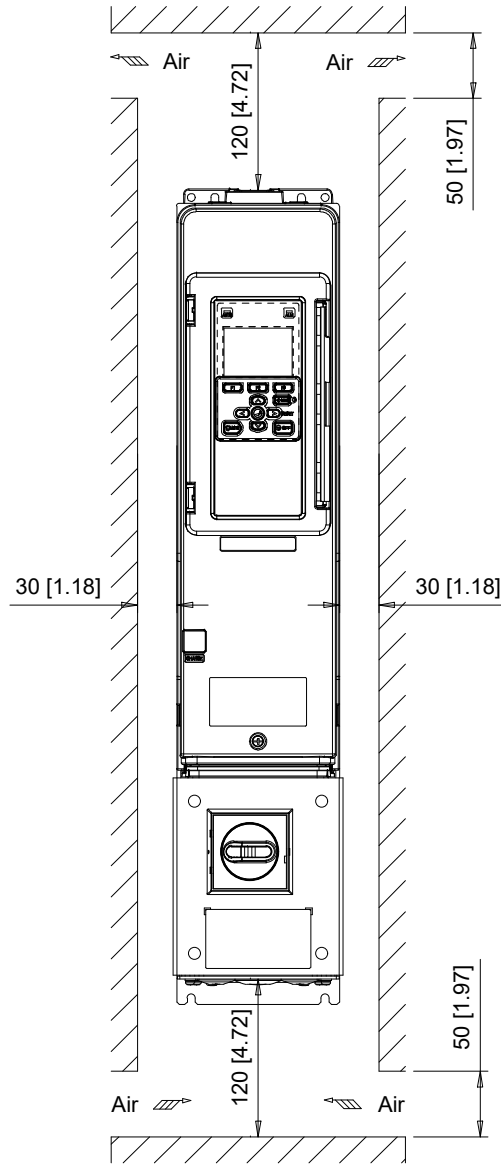
DRWN. J. MATTAS 4-9-21
CHKD. J. PIOTROWSKI 5-17-21
TECH. L. UDDIN 5-26-21
APRV. J. CAIRO 5-28-21

TITLE
HV600 DIMENSION DRAWING
FRAME SIZE 2
IP55/UL TYPE 12 ENCLOSURE
WITH MAIN SWITCH

SIZE A PAGE 2 OF 3
DWG.NO. DD.HV60.FR2.T12.SW

REV 0

Minimum Installation Clearances



YASKAWA

UNITS MM [IN]
SCALE 1:6

DRWN. J. MATTAS 4-9-21
CHKD. J. PIOTROWSKI 5-17-21
TECH. L. UDDIN 5-26-21
APRV. J. CAIRO 5-28-21

TITLE
HV600 DIMENSION DRAWING
FRAME SIZE 2
IP55/UL TYPE 12 ENCLOSURE
WITH MAIN SWITCH

SIZE A PAGE 3 OF 3
DWG.NO. DD.HV60.FR2.T12.SW

REV 0